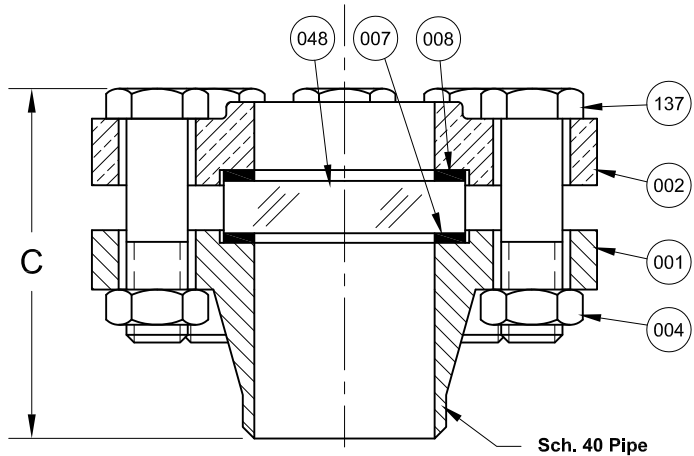


| ASME CLASS 150 SERVICE PRESSURE/TEMP. RATINGS | | |
|---|-----------------|-------|
| *Limited to Gasket & Glass Material | | |
| Temp. (°F) | Pressure (PSIG) | |
| | CS | 316SS |
| -20 to 100 | 285 | 275 |
| 150 | 270 | 255 |
| 200 | 260 | 235 |
| 250 | 245 | 225 |
| 300 | 230 | 215 |
| 350 | 215 | 205 |
| 400 | 200 | 195 |
| 450 | 185 | 180 |
| 500 | 170 | 170 |

*Consult Sales for Higher & Lower Temps.

| REVISIONS | | | |
|-----------|-------------------------|-----------|---------|
| Rev. | Modification | Date | Done By |
| 0 | Original | 6/20/2016 | WAS |
| A | Updated notes & ratings | 2/20/2020 | NPH |

| BILL OF MATERIALS | | | | | |
|--|---------------|-----------|-----------------------|--------------------|-----|
| * - Denotes an Optional, Non-Standard Material | | | | | |
| No. | Name of Part | Qty. | Material | Max. Temp. (°F) | |
| Wetted | 001 | Weld Neck | 1 | Carbon Steel | |
| | | | | 316LSS | |
| | | | | Neoprene | 250 |
| | | | | Soft PTFE | 400 |
| | | | | *EPDM | 250 |
| | | | | *Viton® | 350 |
| | | | | *Graphite | 500 |
| | | | | Non-Asbestos Fiber | 500 |
| | | | | *Buna-N | 200 |
| | | | | *Mica V4 | |
| 007 | Gasket | 1 | | | |
| 009 | Shield (Opt.) | 1 | | | |
| | | | *FEP | 400 | |
| 048 | Lens | 1 | Tempered Borosilicate | 500 | |
| Non-Wetted | 002 | Cover | 1 | Painted Steel | |
| | | | | *316SS | |
| | 004 | Nuts | 8 | Plated Steel | |
| | | | | *316SS | |
| | 008 | Cushion | 1 | Non-Asbestos Fiber | 500 |
| 137 | Studs | 8 | Plated Steel | | |
| | | | *316SS | | |



| PRODUCT SPECIFICATIONS | | | | | | | | |
|------------------------|--------|-------|--------|-------|---------|-------|--------|-------|
| Flange Size | A | | B | | C | | Weight | |
| | In. | mm. | In. | mm. | In. | mm. | lbs. | kg. |
| 4 | 9 | 228.6 | 4 | 101.6 | 4-15/16 | 125.4 | 27.5 | 12.47 |
| 6 | 11 | 279.4 | 6-1/16 | 154.0 | 6-1/16 | 154.0 | 49.4 | 22.41 |
| 8 | 13-1/2 | 342.9 | 8 | 203.2 | 6-15/16 | 176.2 | 83.0 | 37.65 |

W11 Series Configuration Choices:

Reference the Series W11 Model Number Matrix on our Website or Inquire with our Sales Team

Viton® is a Registered Trademark of the Chemours Company

| | | | |
|--|------------------|--|------------|
| JOHN C ERNST LLC. | | www.johnernst.com | |
| | | 21 Gail Ct. Sparta, N.J. USA | |
| W11 HP Weld Neck HP Sight Window - 4" - 8" | | | |
| Sheet: 1 of 1 | Drawn By: WAS | Tolerances, unless otherwise noted Dec.: ± Frac.: ± Ang.: ± | Size: A |
| Scale: NTS | Approved By: JCW | | |
| Dim.: Var. | Date: 20-FEB-20 | Dwg. No.: SC2.00W11.02.1.0 | Rev.: A |