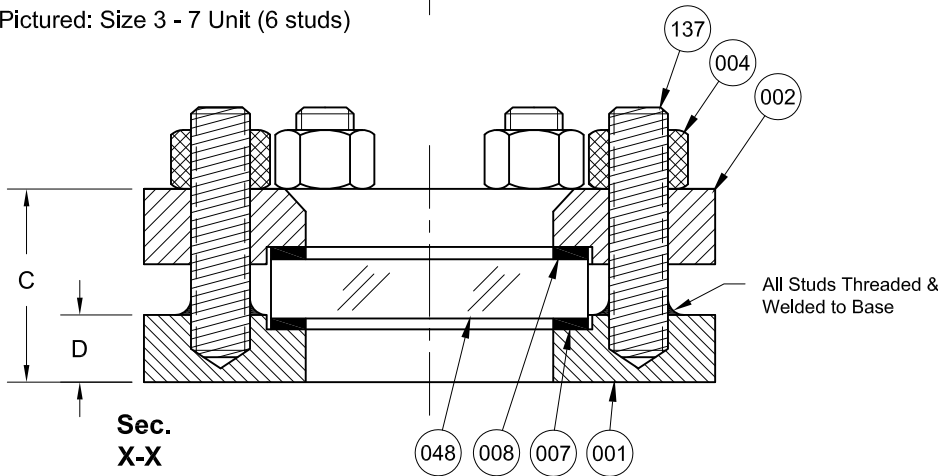


Pictured: Size 3 - 7 Unit (6 studs)



REVISIONS			
Rev.	Modification	Date	Done By
A	Updated Notes & Clarified Ratings	2/20/2020	NPH

BILL OF MATERIALS					
* - Denotes an Optional, Non-Standard Material					
No.	Name of Part	Qty.	Material	Max. Temp. (°F)	Material Grade / Notes
Wetted	001	1	Carbon Steel		ASTM A516-70, A216-WCB, A106
			*316LSS		ASTM A240, A351-CF8M
	007	1	Neoprene	250	
			Gylon®	500	Gylon® 3545
			*EPDM	250	
			*Viton®	350	
			*Graphite	500	
048	1	*Non-Asbestos Fiber	500		
		Annealed Borosilicate	500		
	Fused Glass	500			
Non-Wetted	002	1	Carbon Steel		ASTM A516-70
			*316LSS		
	004	Var.	Plated Steel		
			*316SS		
008	1	Non-Asbestos Fiber			
137	Var.	Plated Steel			
		*316SS			

PRODUCT SPECIFICATIONS											
Size	A		B		C		D		# of Studs	Weight	
	In.	mm.	In.	mm.	In.	mm.	In.	mm.		lbs.	kg.
2	3-5/16	84.1	1-1/4	31.8	1-3/4	44.5	5/8	15.9	4	2	0.9
3	4-7/16	112.7	2	50.8	1-13/16	46.0	11/16	17.5	6	3.5	1.6
4	5-9/16	141.3	2-9/16	65.1	2-1/8	54.0	3/4	19.1	6	7	3.2
5	6-9/16	166.7	3-3/16	81.0	2-1/8	54.0	3/4	19.1	6	9	4.1
6	7-9/16	192.1	4-1/4	108.0	2-1/8	54.0	3/4	19.1	6	12	5.4
7	8-11/16	220.7	5-1/4	133.4	2-1/2	63.5	7/8	22.2	6	18	8.2
8	10-5/16	261.9	6-7/8	174.6	2-1/2	63.5	7/8	22.2	8	22	10.0

NOTES:

- Unit Ratings are Limited to Glass & Gasket Ratings
- Please Inquire for Radius Pad, Fused Glass or Dual Glass Configurations
- Carbon Steel units with standard Neoprene Gaskets are rated 150PSIG @ 250°F
- Stainless Steel units with standard Gylon 3545 Gaskets are rated 150PSIG @ 500°F

W12 Series Configuration Choices:

Reference the Series W12 Model Number Matrix on our Website or Inquire with our Sales Team

Viton® is a Registered Trademark of the Chemours Company
Gylon® is a Registered Trademark of Garlock Sealing Technologies

JOHN C ERNST LLC.		www.johnernst.com 21 Gail Ct. Sparta, N.J. USA	
Sheet: 1 of 1	Drawn By: WAS	Tolerances, unless otherwise noted Dec.: ± Frac.: ± Ang.: ±	
Scale: NTS	Approved By: JCW	Size: A	
Dim.: Var.	Date: 20-FEB-20	Dwg. No.: SC2.00W12.00.0.0	Rev.: A