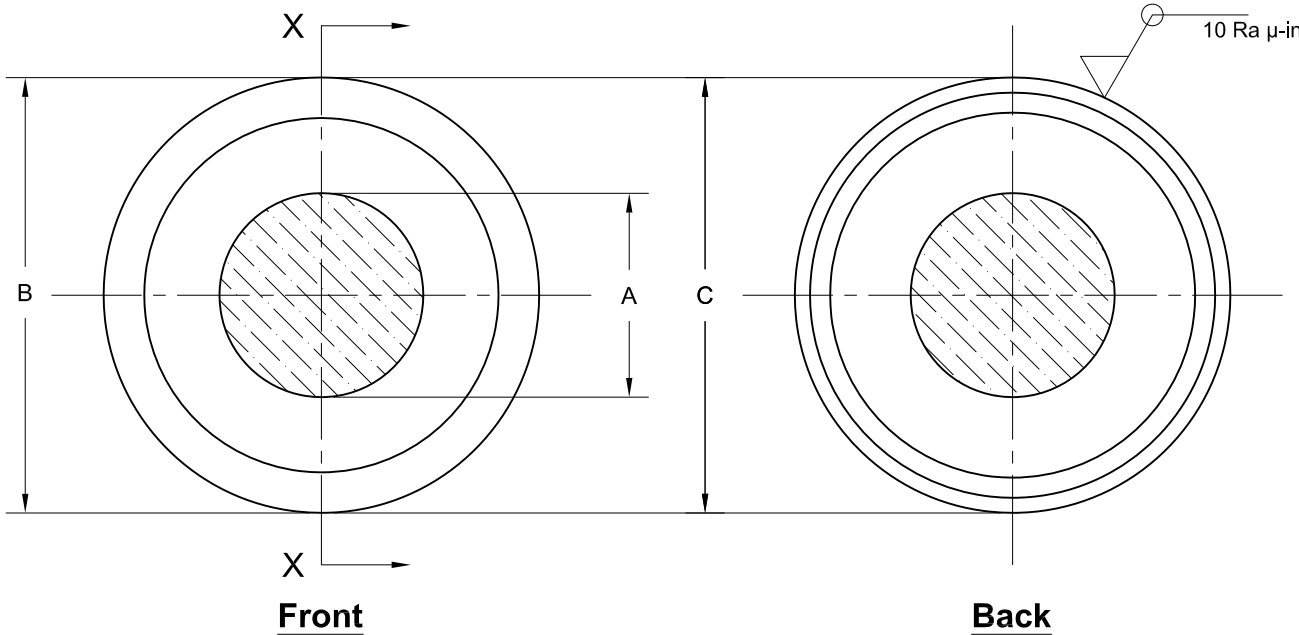


REVISIONS			
Rev.	Modification	Date	Done By



**W14 Series Configuration Choices:**

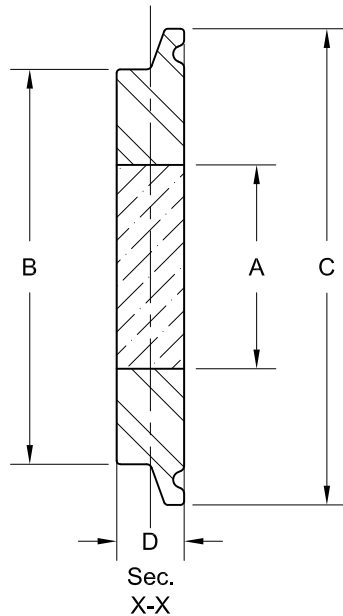
Reference the Series W14 Model Number Matrix on our Website or Inquire with our Sales Team

**Materials:**

Body: Duplex 2205 Stainless Steel (Standard)  
Glass: Fused Borosilicate DIN7079

**Notes:**

1. Ratings Apply to Sight Glass Only
2. Standard Finish of 10 Ra  $\mu$ -in (0.25 $\mu$ m)(Mechanical Polish)
3. USP Class VI, BPE Compliant, & TÜV Approved
4. Hinged Assembly is not Available
5. Inquire Prior to Ordering for Electropolishing or Drill & Tap Options
6. Optional Body Materials include: Hastelloy®, Monel® and Inconel®



PRODUCT SPECIFICATIONS									
Tri-Clamp Size	A		B		C		D		PSI @ 450°F
	In.	mm.	In.	mm.	In.	mm.	In.	mm.	
1/2", 3/4"	0.39"	10	0.71"	18	0.98"	25	0.39"	10	230
1", 1-1/2"	0.98"	25	1.61"	41	2.01"	51	0.39"	10	230
2"	1.18"	30	2.05"	52	2.52"	64	0.39"	10	230
2-1/2"	1.38"	35	2.52"	64	3.03"	77	0.47"	12	230
3"	1.57"	40	2.99"	76	3.58"	91	0.39"	10	150
3-1/2"	1.97"	50	3.54"	90	4.17"	106	0.39"	10	150
4"	2.17"	55	3.98"	101	4.69"	119	0.47"	12	150
6"	2.95"	75	5.98"	152	6.57"	167	0.63"	16	85
8"	3.94"	100	7.80"	198	8.54"	217	0.71"	18	85
10"	4.72"	120	9.65"	245	10.55"	268	0.79"	20	85
12"	5.51"	140	11.81"	300	12.56"	319	0.87"	22	85

**JOHN C ERNST LLC.**

www.johnernst.com  
21 Gall Ct. Sparta, N.J. USA

Series W14 Tri Clamp Fused Glass Sight Window

Sheet: 1 of 1	Drawn By: NPH	Tolerances, unless otherwise noted Dec.: ±    Frac.: ±    Ang.: ±	Size: A
Scale: NTS	Approved By: JCW		Rev.: --
Dim.: Var.	Date: 12-FEB-19	Dwg. No.: SC2.00W14.00.0.0	

Hastelloy® is a Registered Trademark of Haynes International, Inc  
Monel® and Inconel® are Registered Trademarks of Special Metals Corporation