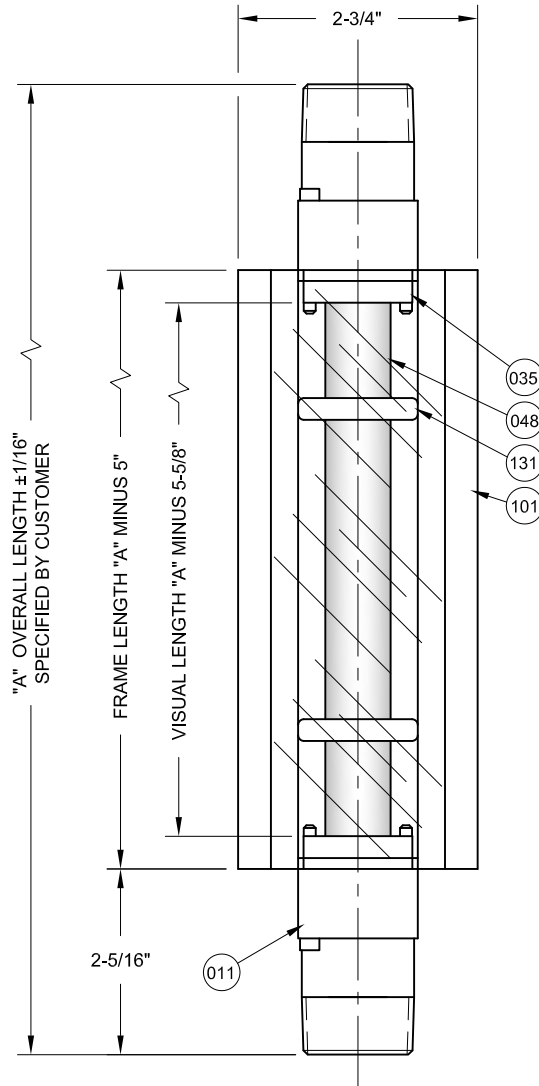
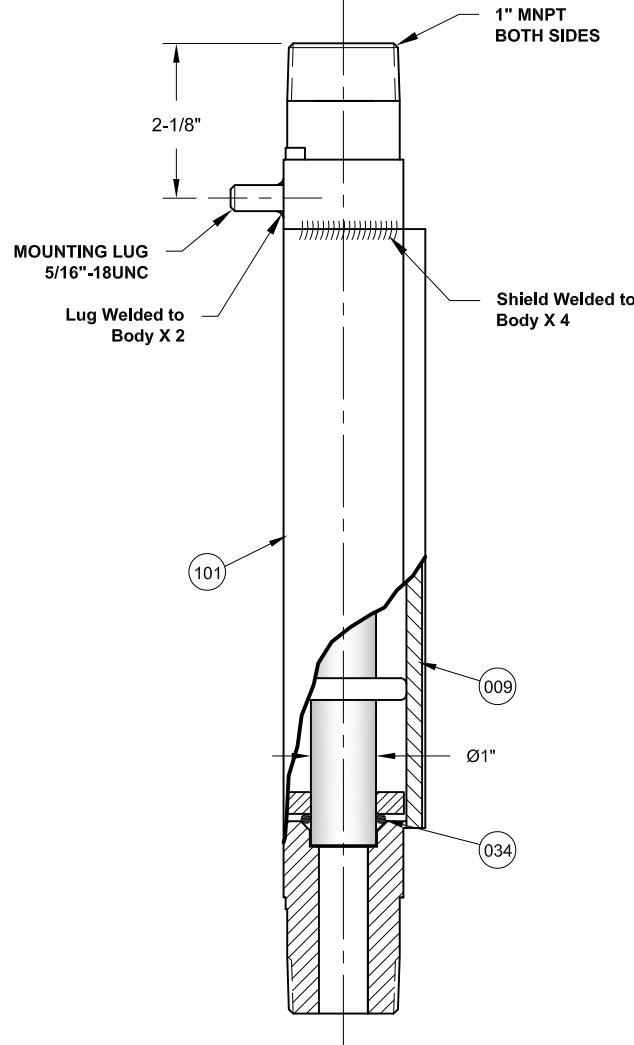
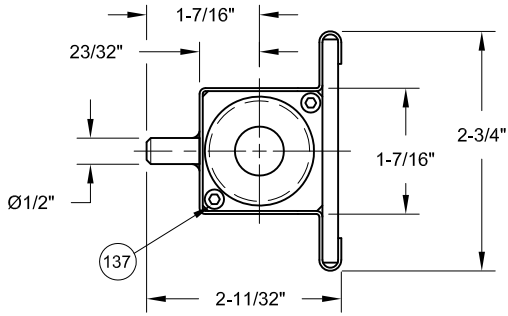


This Drawing and the Subject Matter Disclosed Therein Is the Property of John C Ernst LLC. It Is Not to be Copied, Used, Appropriated or Disclosed to Others Without the Expressed Permission of John C Ernst LLC.

REVISIONS			
Rev.	Modification	Date	Done By
A	Updated notes	12/16/2020	NPH



BILL OF MATERIALS			
No.	Name of Part	Qty.	Material
011	Body/Connection Ports	2	Zinc Pl. Steel OR 316SS
034	Sight Tube O-Ring	2	Viton® / FEP Encapsulated Silicone / Buna-N / EPDM
048	Sight Glass	Var.	Borosilicate / FEP / PVC / Lexan®
009	Shield	1	Lexan® (Inquire for Scale Printing)
035	Retaining Plates	2	316SS
101	3 Sided Frame		Zinc Pl. Steel OR 304SS
131	Bumper Ring	Var.	Buna-N
137	Studs	4	18-8SS

Notes:

1. Rated for **FULL** Vacuum Service
2. Addition of Splacers Reduces Visibility ~1" Per Splicer
3. Inquire for Steam Applications

J14D Series Configuration Choices:

Reference the Series J14D Model Number Matrix on our Website or Inquire with our Sales Team

JOHN C ERNST LLC.		www.JOHNERNST.com	
		21 Gail Ct. Sparta, N.J. USA	
Series J14D Shielded Level Gauge - 1" OD Glass - 1" MNPT Connections			
Sheet: 1 of 1	Drawn By: WAS	Tolerances, unless otherwise noted Dec.: ± Frac.: ± Ang.: ±	
Scale: NTS	Approved By: JCW		
Dim.: Inches	Date: 04-MAR-17	Dwg. No.: SC2.0J14D.00.0.0	Rev.: A

Lexan® is a Registered Trademark of General Electric, Co. USA
Viton® is a Registered Trademark of The Chemours Company