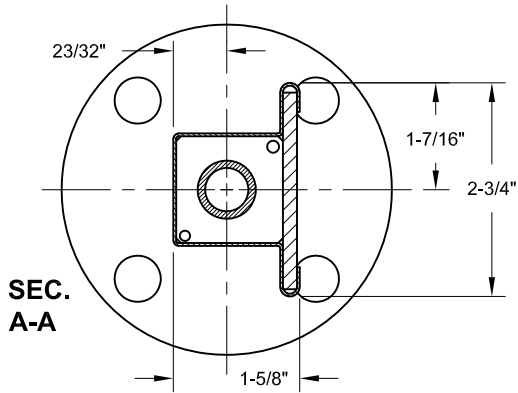
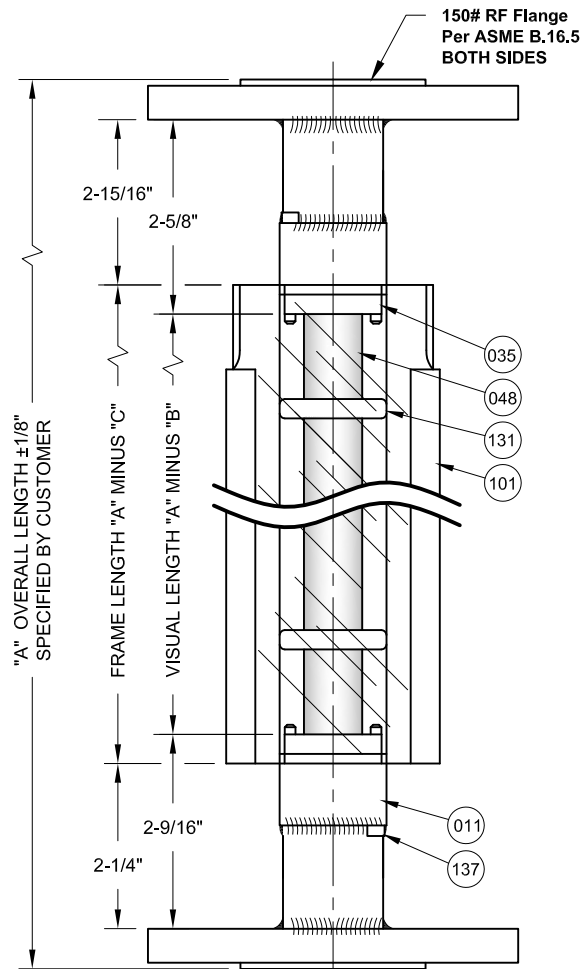
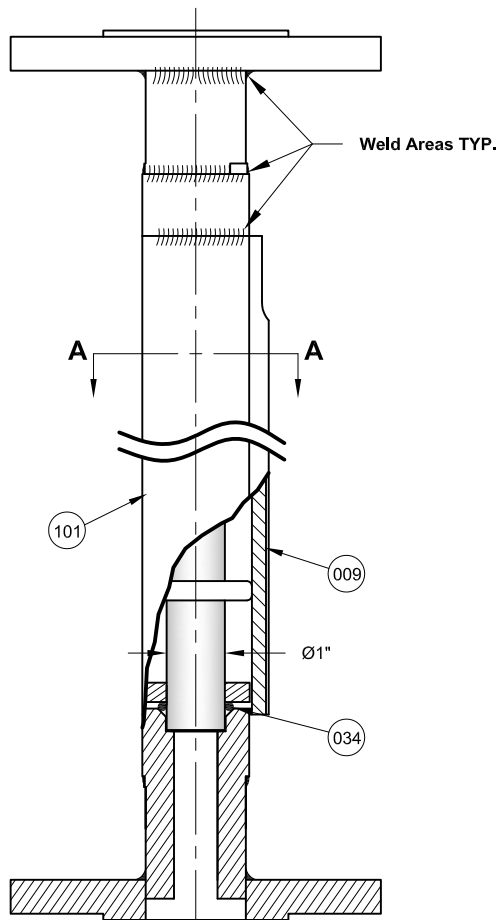


REVISIONS			
Rev.	Modification	Date	Done By
A	Updated notes	12/16/2020	NPH



SEC. A-A



"A" OVERALL LENGTH ±1/8" SPECIFIED BY CUSTOMER

BOTTOM SIDE (With Nametag) 3.

DIMENSIONS				
Model No.	Flange Size	B	C	A (Minimum)
83301F	1"	6"	6-5/8"	13"
83305F	1-1/2"	6-1/4"	6-7/8"	13-1/4"
83302F	2"	6-3/8"	7"	13-3/8"

BILL OF MATERIALS			
No.	Name of Part	Qty.	Material
011	Body/Flanges		Zinc Pl. Steel OR 316SS
034	Sight Tube O-Ring	2	Viton® / FEP Encapsulated Silicone / Buna-N / EPDM
048	Sight Glass	Var.	Borosilicate / FEP / PVC / Lexan®
009	Shield	1	Lexan® (Inquire for Scale Printing)
035	Retaining Plates	2	316SS
101	3 Sided Frame		Zinc Pl. Steel OR 304SS
131	Bumper Ring	Var.	Buna-N
137	Studs	4	18-8SS

Notes:

1. Rated for **FULL** Vacuum Service
2. Addition of Splicers Reduces Visibility ~1" Per Splicer
3. Due to Glass Seating, Gauge **Cannot** be Flipped for Desired Orientation. Please Inquire for Orientation Requirements
4. Please Inquire for Steam Applications

J14D Series Configuration Choices:

Reference the Series J14D Model Number Matrix on our Website or Inquire with our Sales Team

JOHN C ERNST LLC.		www.JOHNERNST.com 21 Gail Ct. Sparta, N.J. USA	
Series J14D Shielded Level Gauge - 1" OD Glass - 1", 1-1/2", 2" Flanged Connections			
Sheet: 1 of 1	Drawn By: WAS	Tolerances, unless otherwise noted Dec.: ± Frac.: ± Ang.: ±	Size: A
Scale: NTS	Approved By: JCW		
Dim.: Inches	Date: 09-MAR-17	Dwg. No.: SC2.0J14D.01.0.0	Rev.: A

Lexan® is a Registered Trademark of General Electric, Co. USA
Viton® is a Registered Trademark of The Chemours Company