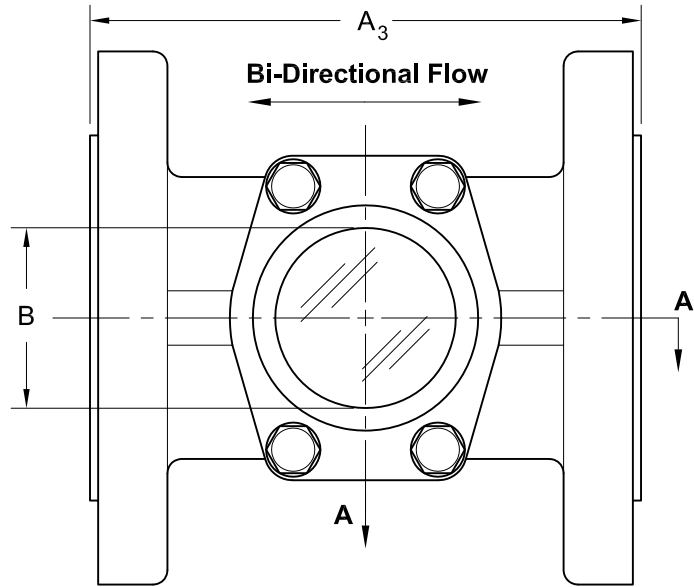
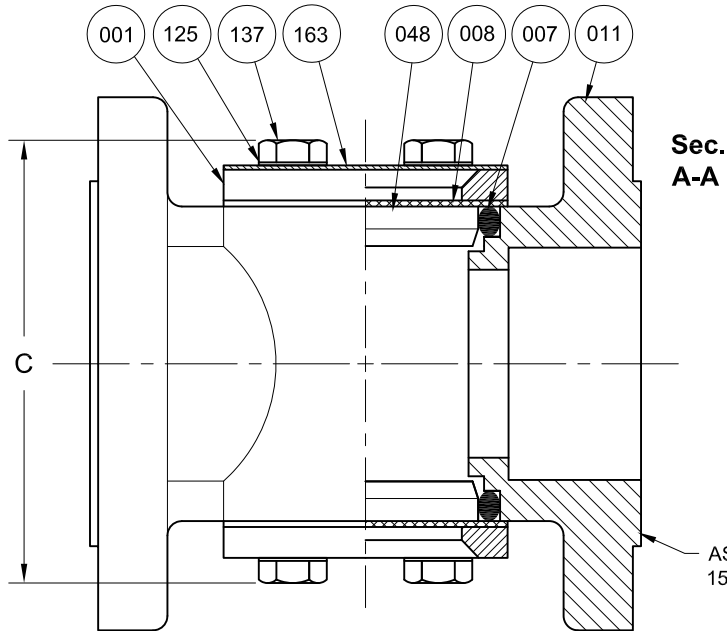


REVISIONS			
Rev.	Modification	Date	Done By



ASME CL. 150 Service Press./Temp. Ratings <sub>2</sub>		
Temp. (°F)	Pressure (PSIG)	
	CS	316SS
-20 to 100	285	275
150	270	255
200	260	235
250	245	225
300	230	215
350	215	205
400	200	195

\*Consult Sales for Alt. Ratings



BILL OF MATERIALS					
* - Denotes an Optional, Non-Standard Material					
No.	Name of Part	Qty.	Material	Max. Temp. (°F)	Material Grade/Notes
011	Body	1	Carbon Steel		ASTM A216-WCB
			316LSS		ASTM A351-CF8M
007	Gasket	2	Viton®	400	
			*Neoprene	250	
			*EPDM	250	
			*PTFE	400	
			*Kalrez®	400	
			*Buna-N	212	
048	Lens	2	Tempered Borosilicate		
001	Retainer	2	Plated Steel		
008	Cushion	2	Non-Asbestos Fiber		
009	Outer Shield (Opt.)	1	*Polycarbonate	200	(Not Pictured)
125	Washers	4	Plated Steel		
137	Studs	8	Plated Steel		
163	Nameplate	1	Aluminum		

PRODUCT SPECIFICATIONS									
Flange Size	A		B		C		Weight		Vacuum <sub>1</sub>
	In.	mm.	In.	mm.	In.	mm.	lbs.	kg.	PSIG
3	8	203.2	3	76.2	7-5/8	193.7	32.1	14.56	-12.6
3 <sub>3</sub>	9-3/8	238.1	3	76.2	7-5/8	193.7	31.8	14.42	-12.6
4	9	228.6	3	76.2	7-5/8	193.7	43.9	19.91	-12.6
4 <sub>3</sub>	11	279.4	3	76.2	7-5/8	193.7	44.2	20.05	-12.6

**Notes:**

1. Vacuum Service Rating: 85.5% of Full Vacuum / 25.6" of Hg. / 2.1 PSIA
2. Limited to Glass, Gasket, & Indicator Ratings
3. Request Extended OAL Unit for 9-3/8" or 11" Length

**S13F Series Configuration Choices:**

Reference the Series S13F Model Number Matrix on our Website or Inquire with our Sales Team

Kalrez® is a Registered Trademark of E.I. DuPont de Nemours Co. Inc.  
Viton® is a Registered Trademark of the Chemours Company

<b>JOHN C ERNST LLC.</b>		www.johnernst.com 21 Gall Ct. Sparta, N.J. USA	
Series S13F High Pressure Plain SFIs - O Ring Style			
Sheet: 1 of 1	Drawn By: WAS	Tolerances, unless otherwise noted Dec.: ±    Frac.: ±    Ang.: ±	Size: A
Scale: <b>NTS</b>	Approved By: JCW		Rev.: --
Dim.: Var.	Date: 17-JAN-17	Dwg. No.: SC2.0S13F.00.2.1	