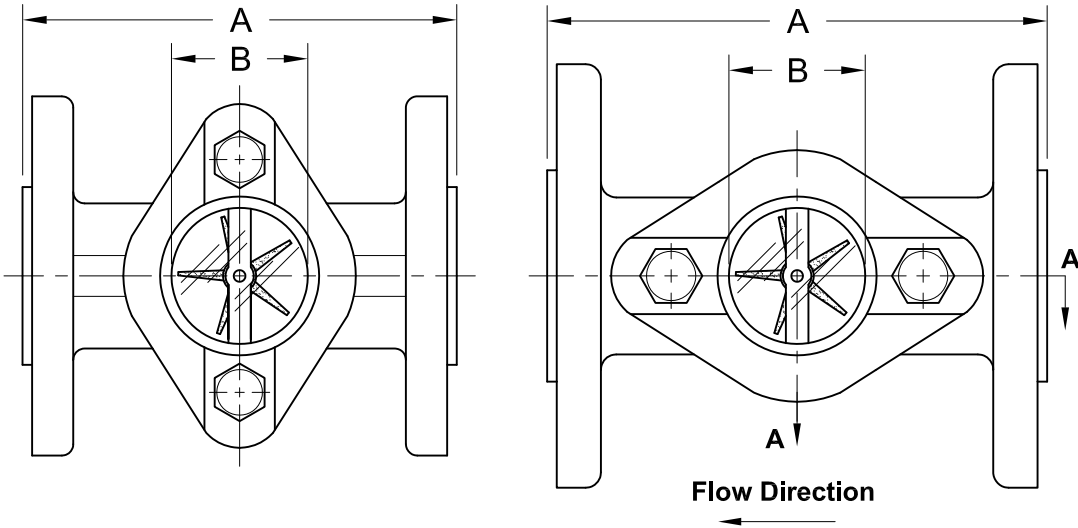


BODY STYLE: 3/4"

BODY STYLE: 1"

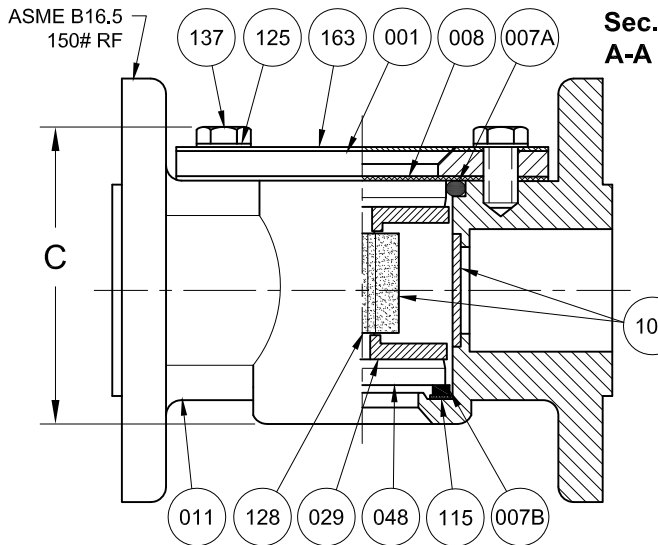


REVISIONS			
Rev.	Modification	Date	Done By

**BILL OF MATERIALS**

\* - Denotes an Optional, Non-Standard Material

No.	Name of Part	Qty.	Material	Max. Temp. (°F)	Material Grade/Notes	
011	Body	1	Carbon Steel		ASTM A216-WCB	
			316SS		ASTM A351-CF8M	
007A 007B	Gasket	2	Neoprene	250		
			Viton®	400		
			*EPDM	250		
			*PTFE	400		
			*Kalrez®	400		
			*Buna-N	212		
029	Bridge	2	316LSS			
048	Lens	2	Tempered Soda Lime			
106	Rotor / Deflector	1	Delrin® / 316SS	250	White	
128	Pin	1	316SS			
Non-Wetted	001	Retainer	1	Plated Steel		
	008	Cushion	1	Non-Asbestos Fiber		
	009	Outer Shield (Opt.)	1	Polycarbonate	200	(Not Pictured)
	115	Spacer	1	PTFE	400	
	125	Washers	2	Plated Steel		
	137	Studs	2	Plated Steel		
163	Nameplate	1	Aluminum			



RATINGS <sub>2</sub>	
Temp. (°F)	Pressure (PSIG)
-20 to 150	200
200	165
225	150
250	135
300	100
350	70
400	35

\*Consult Sales for Alt. Ratings

**PRODUCT SPECIFICATIONS**

Flange Size	A		B		C		Weight		Min. Flow to Indicate	Vacuum <sub>1</sub>
	In.	mm.	In.	mm.	In.	mm.	lbs.	kg.	GPM	PSIG
3/4	4-5/8	117.5	1-1/2	38.1	3-3/8	85.7	5.4	2.45	0.60	-12.6
1	5	127.0	1-1/2	38.1	3-1/2	88.9	6.0	2.72	0.70	-12.6

**Notes:**

- Vacuum Service Rating: 85.5% of Full Vacuum / 25.6" of Hg. / 2.1 PSIA
- Limited to Glass, Gasket, & Indicator Ratings

**S13F Series Configuration Choices:**

Reference the Series S13F Model Number Matrix on our Website or Inquire with our Sales Team

Kalrez® is a Registered Trademark of E.I. DuPont de Nemours Co. Inc.  
Viton® is a Registered Trademark of the Chemours Company

**JOHN C ERNST LLC.**

www.johnernst.com  
21 Gail Ct. Sparta, N.J. USA

Series S13F Rotor SFIs - 3/4" - 1" Flanged

Sheet: 1 of 1	Drawn By: WAS	Tolerances, unless otherwise noted Dec.: ±    Frac.: ±1/64"    Ang.: ±	Size: A
Scale: NTS	Approved By: JCW		
Dim.: Var.	Date: 14-DEC-16	Dwg. No.: SC2.OS13F.01.0.0	Rev.: --