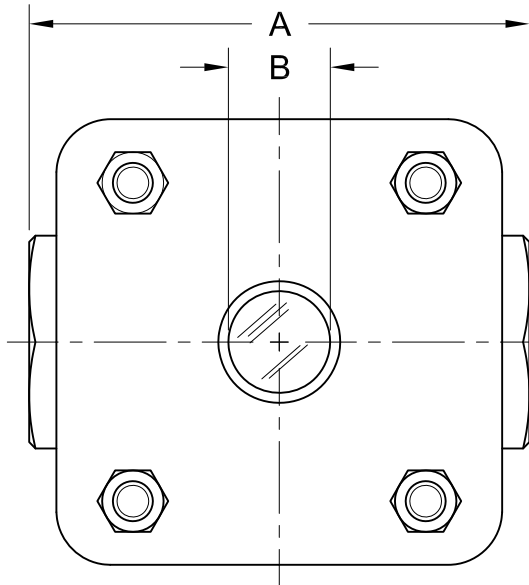


REVISIONS			
Rev.	Modification	Date	Done By
A	Updated Materials	10/10/2022	NPH

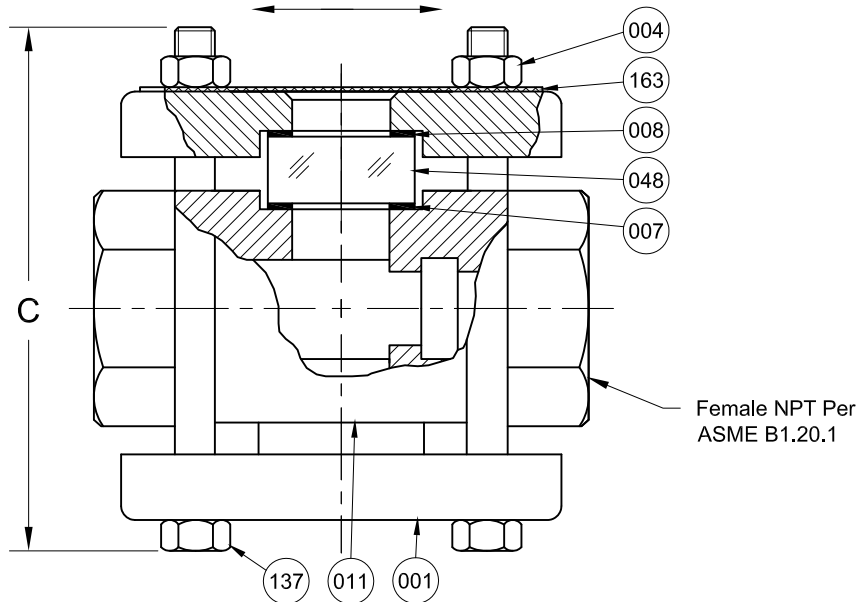


Temp. (°F)	ASME CLASS 600 SERVICE PRESSURE/TEMP. RATINGS *Limited to Gasket & Glass Material	
	Pressure (PSIG)	
	CS	316SS
-20 to 100	1480	1440
150	1415	1340
200	1350	1240
250	1335	1180
300	1315	1120
350	1290	1075
400	1270	1030
450	1235	990
500	1200	955

*Consult Sales for Higher & Lower Temps.

BILL OF MATERIALS					
* - Denotes an Optional, Non-Standard Material					
No.	Name of Part	Qty.	Material	Max. Temp. (°F)	Material Grade / Notes
011	Body	1	Painted Carbon Steel		ASTM A216-WCB
			316SS		ASTM A351-CF8M
			Neoprene	250	
			Gylon®	500	Gylon® 3545
007	Gasket	2	*Viton®	350	
			*Graphite	500	
			*Non Asbestos	500	IFG-5500
			Tempered Boro.	500	
048	Lens	2			
001	Retainer	2	Electro-Galvanized Zinc Plated Carbon Steel		ASTM A216-WCB or ASTM A516 GR.70
			*316SS		
			Yellow Zinc Plated Steel		ASTM A194-2H
			*316SS		
			Non-Asbestos	500	IFG-5500
004	Nut	4			
008	Cushion	2			
137	Stud	4	Yellow Zinc Plated Steel		ASTM A354-BD
163	Name Plate	1	SS		

Bi-Directional Flow



PRODUCT SPECIFICATIONS								
FNPT Size	A		B		C ₁		Weight	
	In.	mm.	In.	mm.	In.	mm.	lbs.	kg.
1/4	3-3/4	95	13/16	21	4-1/4	108	7.2	3.3
3/8	3-3/4	95	13/16	21	4-1/4	108	7.2	3.3
1/2	4-1/2	114	1-1/16	27	5	127	13.2	6.0
3/4	4-1/2	114	1-1/16	27	5	127	13.2	6.0
1	4-7/8	124	1-1/4	32	5-1/2	140	14.4	6.5
1-1/4	6	152	2	51	7-1/2	191	24.0	10.9
1-1/2	6	152	2	51	7-1/2	191	24.0	10.9
2	6	152	2	51	7-1/2	191	24.0	10.9

KEY NOTES:

- Standard Bolt Length Shown in "C" Dimension (±1/8")
- Dual Window & Fused Glass Options Available by Request
- In Accordance with NACE MR-01-75 & ISO15156-1 for Wetted Materials

S16T Series Configuration Choices:

Reference the Series S16T Model Number Matrix on our Website or Inquire with our Sales Team

Gylon® is a Registered Trademark of Garlock Sealing Technologies
Viton® is a Registered Trademark of the Chemours Company

JOHN C ERNST LLC.		www.johnernst.com 21 Gail Ct. Sparta, N.J. USA		
				Series S16T Class 600# Female Threaded Plain SFI - Type B
Sheet: 1 of 1	Drawn By: WAS	Tolerances, unless otherwise noted Dec.: ± Frac.: ± Ang.: ±		Size: A
Scale: NTS	Approved By: GEW	Dwg. No.: SC2.0S16T.00.1.0		Rev.: A
Dim.: Var.	Date: 06-MAR-18			