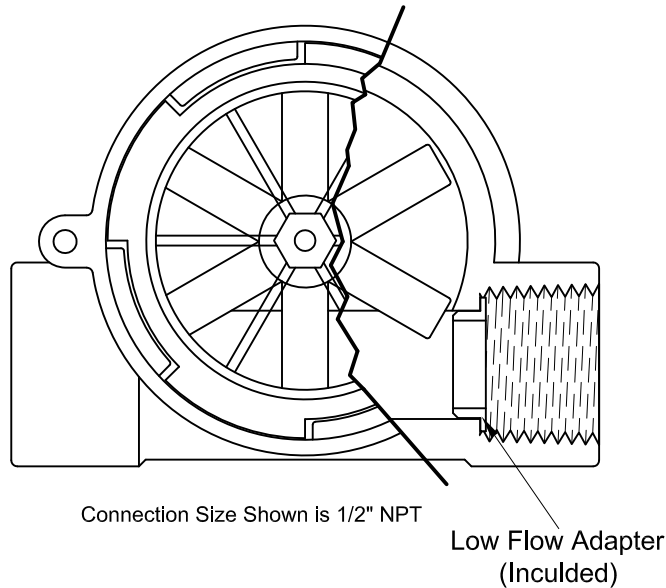


REVISIONS			
Rev.	Modification	Date	Done By

BILL OF MATERIALS			
* - Denotes an Optional, Non-Standard Material			
Name of Part	Qty.	Material	Max. Temp. (°F)
Body	1	Polypropylene	180
		Brass	212
		316 Stainless Steel	212
Rotor Pin	1	Ceramic	
Rotor	1	Nylon	
Lens	1	Polysulfone	
O-ring	1	Buna N (In Polypropylene Body)	
	1	Viton® (In Brass & Stainless Bodies)	
Low Flow Adaptor	1	Glass Reinforced Polypropylene	



PRODUCT SPECIFICATIONS					
Body Material	Thread Size	Flow Range - GPM		Ratings	Operating Temperature Range
		Low Range †	Standard Range		
Polypropylene	1/4"	0.1 - 1.0	0.5 - 5.0	100 PSIG @ 70°F 40 PSIG @ 180°F	-20°F - 180°F
	1/2"	1.5 - 12.0	4.0 - 20.0		
Brass	1/4"	0.1 - 1.0	0.5 - 5.0	200 PSIG @ 70°F 100 PSIG @ 212°F	-20°F - 212°F
	1/2"	1.5 - 12.0	4.0 - 20.0		
	3/4"	-	5.0 - 30.0		
	1"	-	8.0 - 60.0		
Stainless Steel	1/2"	1.5 - 12.0	4.0 - 20.0	200 PSIG @ 70°F 100 PSIG @ 212°F	-20°F - 212°F
	3/4"	-	5.0 - 30.0		
	1"	-	8.0 - 60.0		

Notes:

- 3/4" & 1" Sizes do not have Low Flow Adaptors available
- High visibility orange nylon rotor installed for general purpose with a wide range of compatible fluids

S17A Series Configuration Choices:

Reference the Series S Model Number Matrix on our Website or Inquire with our Sales Team

Viton® is a Registered Trademark of E.I. DuPont de Nemours Co. Inc.

† - Requires Low Flow Adapter (included) to be installed

JOHN C ERNST LLC.		www.JOHNERNST.com 21 Gail Ct. Sparta, N.J. USA	
Series S17A Sight Flow Indicator			
Sheet: 1 of 1	Drawn By: NPH	Tolerances, unless otherwise noted Dec.: ± Frac.: ± Ang.: ±	
Scale: 1:1	Approved By: GEW	Size: A	
Dim.: Inches.	Date: 15-JAN-19	Dwg. No.: SC2.0S17A.00.0.0	Rev.: --