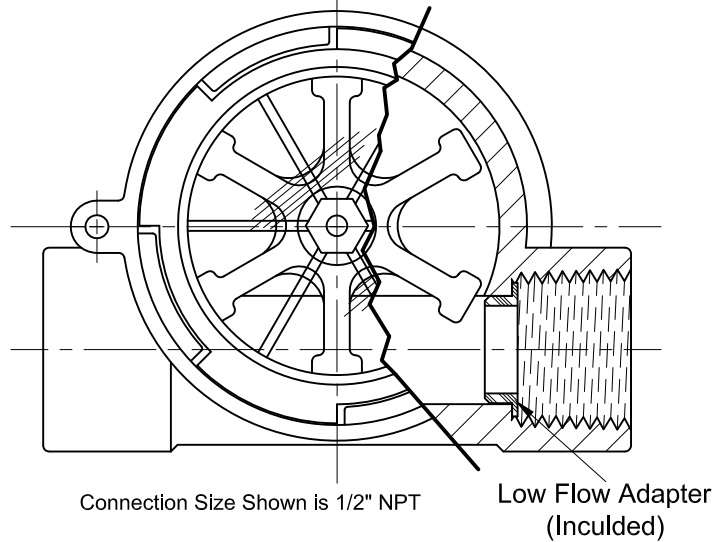
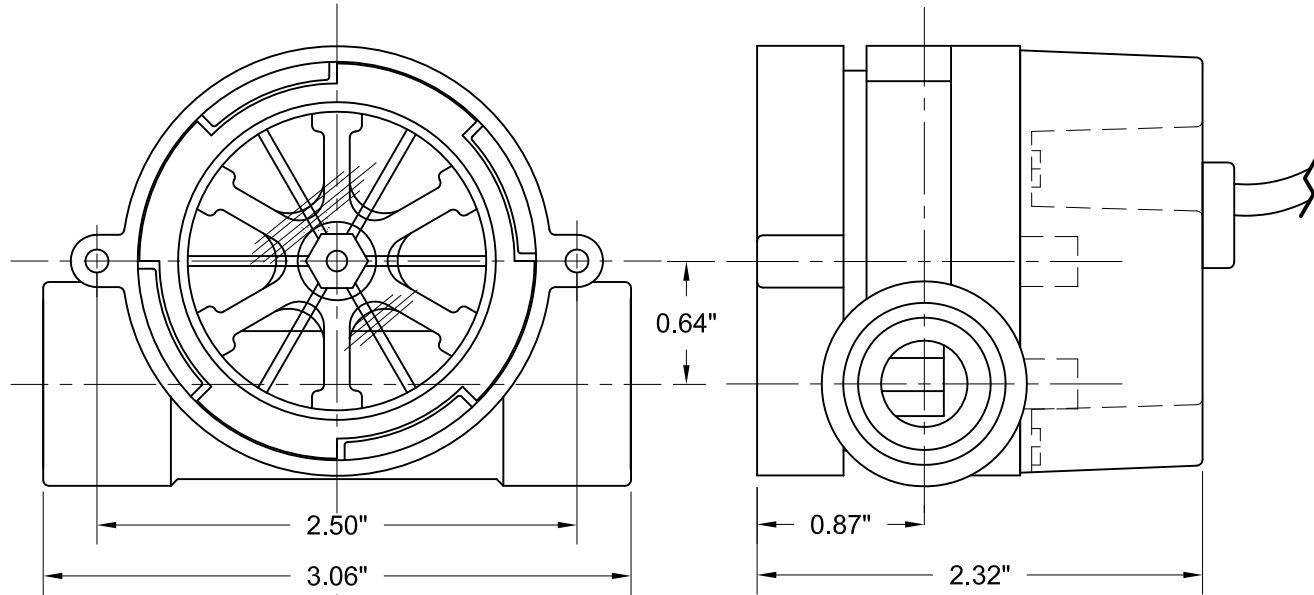


| REVISIONS | | | |
|-----------|--------------|------|---------|
| Rev. | Modification | Date | Done By |
| | | | |



| BILL OF MATERIALS | | | |
|------------------------------------------------|------|--------------------------------------|-----------------|
| * - Denotes an Optional, Non-Standard Material | | | |
| Name of Part | Qty. | Material | Max. Temp. (°F) |
| Body | 1 | Polypropylene | 180 |
| | | Brass | 212 |
| | | 316 Stainless Steel | 212 |
| Rotor Pin | 1 | Ceramic | |
| Rotor | 1 | PPS Compsite | |
| Lens | 1 | Polysulfone | |
| O-ring | 1 | Buna N (In Polypropylene Body) | |
| | 1 | Viton® (In Brass & Stainless Bodies) | |
| Low Flow Adaptor | 1 | Glass Reinforced Polypropylene | |

| PRODUCT SPECIFICATIONS | | | | | |
|------------------------|-----------------|------------------------|---------------------------|-------------------------------------|-----------------------------|
| Body Material | NPT Thread Size | Flow Range - GPM | | Ratings | Operating Temperature Range |
| | | Low Range † (Accuracy) | Standard Range (Accuracy) | | |
| Polypropylene | 1/4" | 0.1 - 1.0 (±7%) | 0.5 - 5.0 (±7%) | 100 PSIG @ 70°F 40 PSIG @ 180°F | -20°F - 180°F |
| | 1/2" | 1.5 - 12.0 (±7%) | 4.0 - 20.0 (±15%) | | |
| Brass | 1/4" | 0.1 - 1.0 (±7%) | 0.5 - 5.0 (±7%) | 200 PSIG @ 70°F 100 PSIG @ 212°F | -20°F - 212°F |
| | 1/2" | 1.5 - 12.0 (±7%) | 4.0 - 20.0 (±15%) | | |
| | 3/4" | - | 5.0 - 30.0 (±15%) | | |
| | 1" | - | 8.0 - 60.0 (±15%) | | |
| Stainless Steel | 1/2" | 1.5 - 12.0 (±7%) | 4.0 - 20.0 (±15%) | 200 PSIG @ 70°F 100 PSIG @ 212°F | -20°F - 212°F |
| | 3/4" | - | 5.0 - 30.0 (±15%) | | |
| | 1" | - | 8.0 - 60.0 (±15%) | | |

Notes:

1. 3/4" & 1" Sizes do not have Low Flow Adaptors available
2. Maximum Viscosity up to 220 SSU
3. 4.5 VDC to 24 VDC Input power range
4. 15Hz (Low Flow) to 225Hz (High Flow) Frequency Output Range

S17A Series Configuration Choices:

Reference the Series S17A Model Number Matrix on our Website or Inquire with our Sales Team

Viton® is a Registered Trademark of E.I. DuPont de Nemours Co. Inc.

† - Requires Low Flow Adapter (included) to be installed

| | | | |
|-------------------------------------------------------------------|------------------|----------------------------------------------------------------------|----------|
| JOHN C ERNST LLC. | | www.JOHNERNST.com 21 Gail Ct. Sparta, N.J. USA | |
| Series S17A Sight Flow Indicator with 4.5 to 24 VDC Pulsed Output | | | |
| Sheet: 1 of 1 | Drawn By: NPH | Tolerances, unless otherwise noted Dec.: ± Frac.: ± Ang.: ± | |
| Scale: 1:1 | Approved By: GEW | Size: A | |
| Dim.: Inches. | Date: 15-JAN-19 | Dwg. No.: SC2.0S17A.00.1.0 | Rev.: -- |