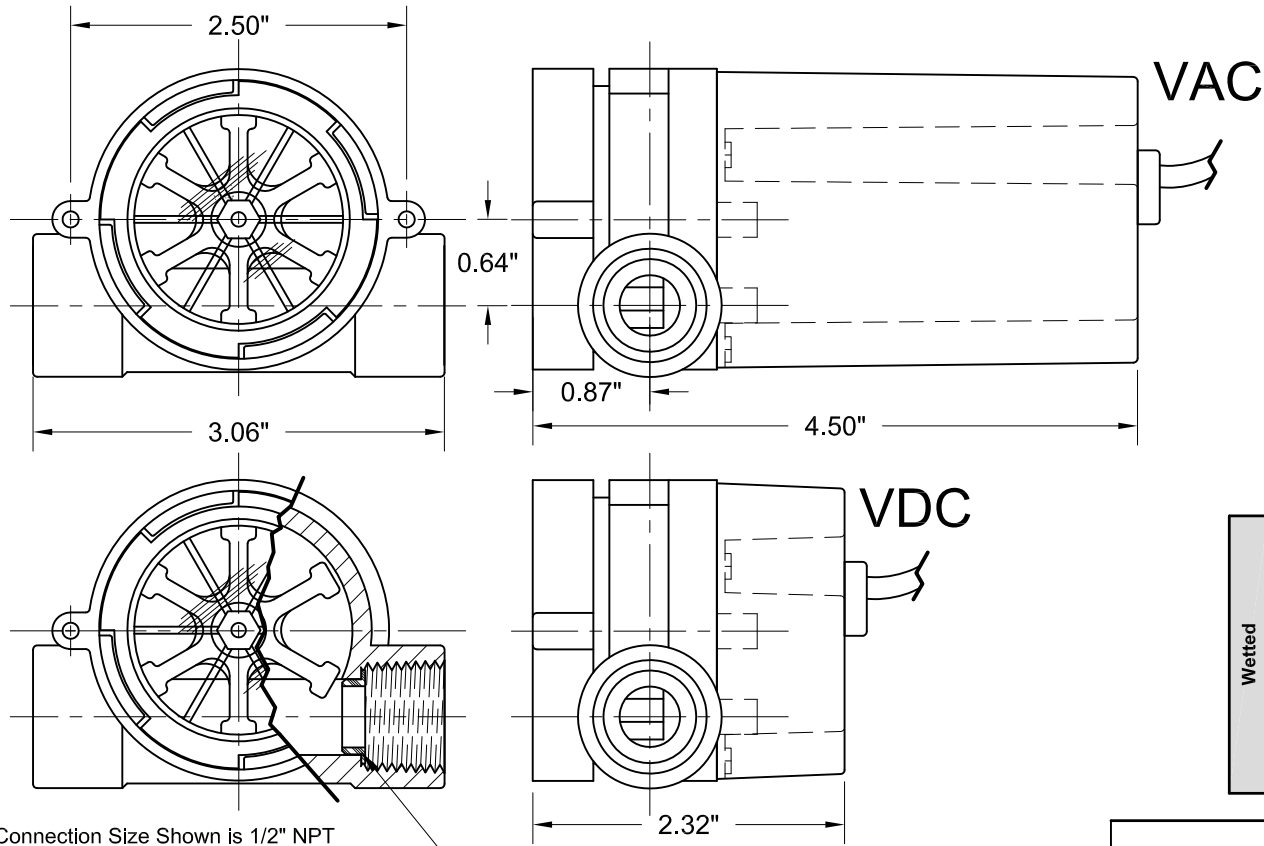


REVISIONS			
Rev.	Modification	Date	Done By



Connection Size Shown is 1/2" NPT

Low Flow Adapter
(Included)

BILL OF MATERIALS			
* - Denotes an Optional, Non-Standard Material			
Name of Part	Qty.	Material	Max. Temp. (°F)
Body	1	Polypropylene	180
		Brass	212
		316 Stainless Steel	212
Rotor Pin	1	Ceramic	
Rotor	1	PPS Composite	
Lens	1	Polysulfone	
O-ring	1	Buna N (In Polypropylene Body)	
		Viton® (In Brass & Stainless Bodies)	
Low Flow Adaptor	1	Glass Reinforced Polypropylene	

PRODUCT SPECIFICATIONS					
Body Material	NPT Thread Size	Flow Range - GPM		Ratings	Operating Temperature Range
		Low Range † (Accuracy)	Standard Range (Accuracy)		
Polypropylene	1/4"	0.1 - 1.0 (±7%)	0.5 - 5.0 (±7%)	100 PSIG @ 70°F 40 PSIG @ 180°F	-20°F - 180°F
	1/2"	1.5 - 12.0 (±7%)	4.0 - 20.0 (±15%)		
Brass	1/4"	0.1 - 1.0 (±7%)	0.5 - 5.0 (±7%)	200 PSIG @ 70°F 100 PSIG @ 212°F	-20°F - 212°F
	1/2"	1.5 - 12.0 (±7%)	4.0 - 20.0 (±15%)		
	3/4"	-	5.0 - 30.0 (±15%)		
	1"	-	8.0 - 60.0 (±15%)		
Stainless Steel	1/2"	1.5 - 12.0 (±7%)	4.0 - 20.0 (±15%)	200 PSIG @ 70°F 100 PSIG @ 212°F	-20°F - 212°F
	3/4"	-	5.0 - 30.0 (±15%)		
	1"	-	8.0 - 60.0 (±15%)		

† - Requires Low Flow Adapter (included) to be installed

Notes:

- 3/4" & 1" Sizes do not have Low Flow Adaptors available
- Maximum Viscosity up to 220 SSU
- 115 VAC or 24 VDC Input power options
- Adjustable set point to a "no-flow" condition should the rotor stop for any reason

S17A Series Configuration Choices:

Reference the Series S17A Model Number Matrix on our Website or Inquire with our Sales Team

Viton® is a Registered Trademark of E.I. DuPont de Nemours Co. Inc.

JOHN C ERNST LLC.		www.JOHNERNST.com 21 Gail Ct. Sparta, N.J. USA	
Series S17A Sight Flow Indicator with Switch Set Point Calibration & LED Signal			
Sheet: 1 of 1	Drawn By: NPH	Tolerances, unless otherwise noted Dec.: ± Frac.: ± Ang.: ±	Size: A
Scale: 1:1	Approved By: GEW		
Dim.: Inches.	Date: 15-JAN-19	Dwg. No.: SC2.0S17A.00.2.0	Rev.: --