

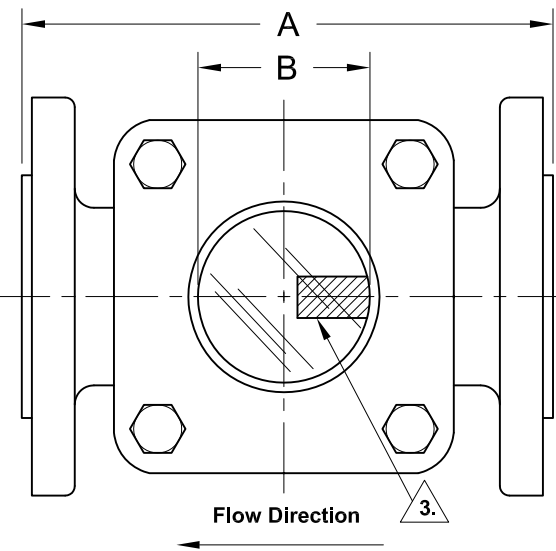
**REVISIONS**

Rev.	Modification	Date	Done By
A	Updated Materials	10/10/2022	NPH

**BILL OF MATERIALS**

\* - Denotes an Optional, Non-Standard Material

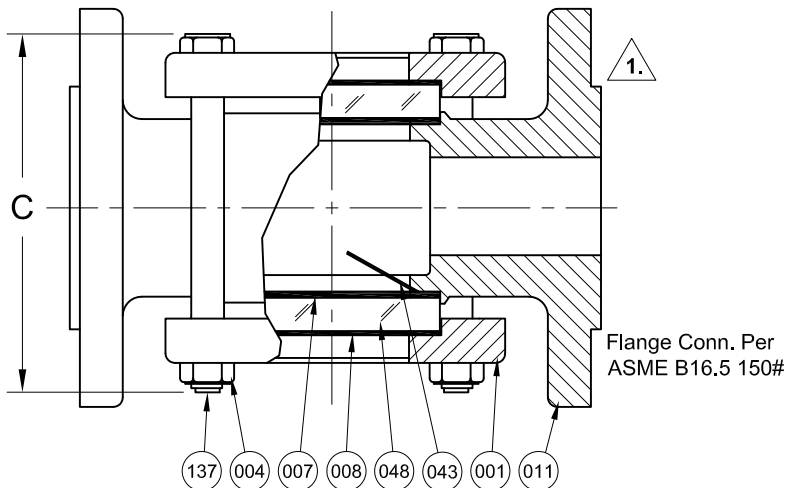
No.	Name of Part	Qty.	Material	Max. Temp. (°F)	Material Grade / Notes
011	Body	1	Electro-Galvanized Zinc Plated Carbon Steel		ASTM A-216 WCB
			Bronze <sub>1</sub>		ASTM B-62
			*316SS		ASTM A-351 CF8M
007	Gasket	2	Neoprene	250	
			Gylon®	500	Gylon® 3545
			*EPDM	250	
			*Viton®	350	
			*Graphite	500	
			*Non Asbestos	500	
			*Buna-N	250	
009	(Opt.) Inner Shield	2	Mica V4		(Not Pictured)
048	Lens	2	Tempered Boro.	500	
043	Flutter	1	PTFE	500	
008	Cushion	2	Non-Asbestos	500	
001	Retainer	2	Zinc Plated Carbon Steel		Electro-Galvanized
			*316SS		ASTM A240
137	Stud	Var.	Yellow Zinc Plated Steel		ASTM A354-BD
			*316SS		ASTM A193-B8M
004	Nut	Var.	Yellow Zinc Plated Steel		ASTM A194-2H
			*316SS		ASTM A194-8M



**ASME CLASS 150 SERVICE PRESSURE/TEMP. RATINGS**  
\*Limited to Gasket & Glass Material

Temp. (°F)	Pressure (PSIG)		
	CS	316SS	Bronze
-20 to 100	285	275	225
150	270	255	225
200	260	235	210
250	245	225	195
300	230	215	180
350	215	205	165
400	200	195	150
450	185	180	
500	170	170	N/R

\*Consult Sales for Higher & Lower Temps



**PRODUCT SPECIFICATIONS**

Flange Size	A <sub>1</sub>		B		C <sub>2</sub>		Weight		# of Bolts
	In.	mm.	In.	mm.	In.	mm.	lbs.	kg.	
1/2 & 3/4	4-5/8	117	1-1/8	29	4	102	6	2.7	4
1	5-5/8	143	1-1/4	32	4-1/2	114	8	3.6	4
1-1/2	6-1/2	165	2	51	5-7/8	149	15	6.8	4
2	7-7/8	200	2	51	6-1/4	159	22	10.0	4
2-1/2 & 3	9-3/8	238	3-3/16	81	8-1/2	216	44	20.0	4
4	11	279	4-3/8	111	10-1/2	267	67	30.4	4
6	14-1/4	362	6-7/8	175	14-3/4	375	155	70.3	4
8	16-1/8	410	8-1/4	210	17-1/2	445	230	104.3	4
10	24-3/4	629	11	279	24-1/8	613	405	183.7	16
12	25-3/4	654	11	279	24-1/8	613	460	208.7	16
14	26-3/4	679	11	279	27-3/8	695	505	229.1	16
16	26-3/4	679	11	279	27-3/8	695	555	251.7	16

**KEY NOTES**

1. Bronze Indicators have Flat Face Flanges. Overall Length = "A" minus 1/8"
2. Standard Bolt Length Shown In "C" Dimension (±1/8")
3. First Moment of Indication Is Unavailable for this Unit

**S14FB Series Configuration Choices:**

Reference the Series S14FB Model Number Matrix on our Website or Inquire with our Sales Team

Gylon® is a Registered Trademark of Garlock Sealing Technologies  
Viton® is a Registered Trademark of the Chemours Company

**JOHN C ERNST LLC.**

www.johnernst.com

21 Gail Ct. Sparta, N.J. USA

Series S14FB Sight Flow Indicator - Flutter 150# Flanged

Sheet 1 of 1	Drawn By: WAS	Tolerances, unless otherwise noted Dec.: ±    Frac.: ±    Ang.: ±	Size: A
Scale: NTS	Approved By GEW		
Date: 11-MAY-16	Dwg. No.: SC2.S14FB.03.0.0		Rev.: A