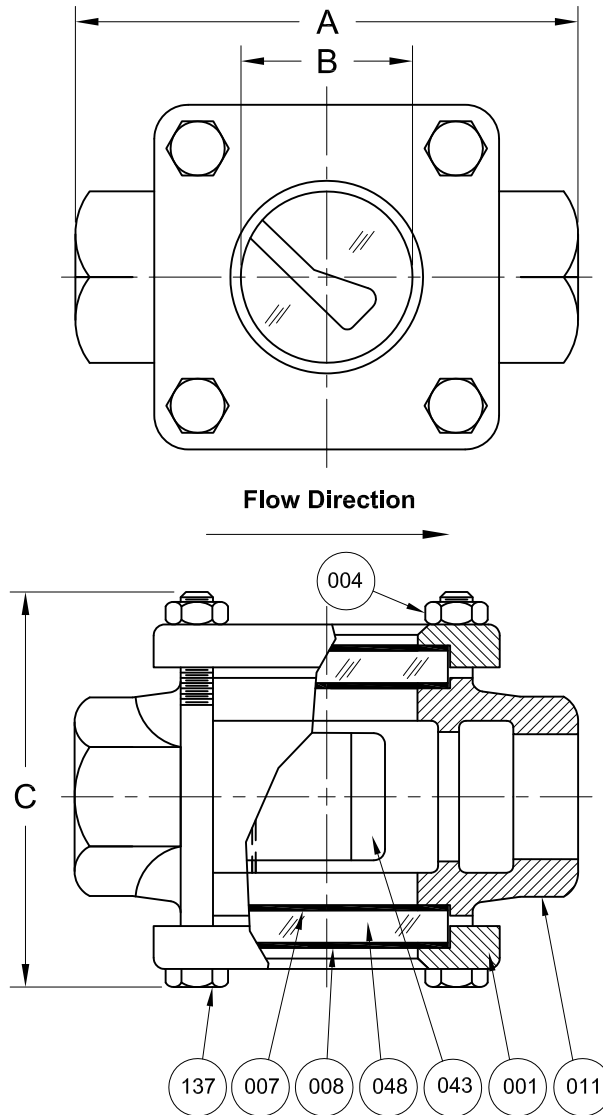


REVISIONS			
Rev.	Modification	Date	Done By
A	Updated Materials	10/10/2022	NPH
B	Added Flowrates	1/31/2023	NPH

BILL OF MATERIALS					
* - Denotes an Optional, Non-Standard Material					
No.	Name of Part	Qty.	Material	Max. Temp. (°F)	Material Grade/Notes
011	Body	1	Painted Carbon Steel		ASTM A216 WCB
			Bronze		ASTM B62
			316SS		ASTM A351 CF8M
007	Gasket	2	Neoprene	250	
			Gylon®	500	Gylon® 3545
			*EPDM	250	
			*Viton®	350	
			*Graphite	500	
			*Non Asbestos	500	
			*Buna-N	250	
048	Lens	2	Tempered Boro.	500	
043	Flapper Assembly	1	316SS		
008	Cushion	2	Non-Asbestos	500	
001	Retainer	2	Zinc Plated Carbon Steel		Electro-Galvanized
			*316SS		ASTM A240
137	Stud	4	Yellow Zinc Plated Steel		ASTM A354-BD
			*316SS		ASTM A193-B8M
004	Nut	4	Yellow Zinc Plated Steel		ASTM A194-2H
			*316SS		ASTM A194-8M

ASME CLASS 150 SERVICE PRESSURE/TEMP. RATINGS			
*Limited to Gasket & Glass Material			
Temp. (°F)	Pressure (PSIG)		
	CS	316SS	Bronze
-20 to 100	285	275	225
150	270	255	225
200	260	235	210
250	245	225	195
300	230	215	180
350	215	205	165
400	200	195	150
450	185	180	N/R
500	170	170	N/R

*Consult Sales for Higher & Lower Temps.



PRODUCT SPECIFICATIONS														
FNPT Size	A		B		*C		Weight		Min Flow Horizontal 1		Min Flow Vertical 1		Max Flow Velocity 1,2	
	In.	mm.	In.	mm.	In.	mm.	lbs.	kg.	gpm	lpm	gpm	lpm	Ft/Sec	M/Sec
1/4 & 3/8	3	76	13/16	21	3-1/2	89	5	2.3	0.75	2.8	2	7.6	15	4.6
1/2	3-3/4	95	1-1/4	32	4	102	5	2.3	1.25	4.7	3	11.4	15	4.6
3/4	3-3/4	95	1-1/4	32	4	102	6	2.7	1.5	5.7	4	15.1	15	4.6
1	4-1/4	108	1-1/4	32	4-1/2	114	8	3.6	2	7.6	5	19	15	4.6
1-1/4	5-1/2	140	2	51	5-3/4	146	13	5.9	5	19	11	42	15	4.6
1-1/2	5-1/2	140	2	51	5-3/4	146	14	6.4	5	19	13	49	15	4.6
2	6-1/4	159	2	51	6-3/4	171	19	8.6	8	30	15	57	15	4.6

*Standard Bolt Length Shown in "C" Dimension

Notes:

- Flow data is an Approximation based on ambient temperature water and is not a performance guarantee.
- Maximum Velocity is based on petroleum standard practices recommended pipe velocities.

S14TB Series Configuration Choices:

Reference the Series S14TB Model Number Matrix on our Website or Inquire with our Sales Team

Gylon® is a Registered Trademark of Garlock Sealing Technologies
 Viton® is a Registered Trademark of E.I. DuPont de Nemours Co. Inc.

JOHN C ERNST LLC.		www.JOHNERNST.com 21 Gail Ct. Sparta, N.J. USA	
Series S14TB Sight Flow Indicator - Flapper 150# Threaded			
Sheet 1 of 1	Drawn By WAS	Tolerances, unless otherwise noted Dec.: ± Frac.: ± Ang.: ±	
Scale: NTS	Approved By: JCW	Size: A	
Date: 25-FEB-16	Dwg. No.: SC2.S14TB.02.0.0		Rev. B