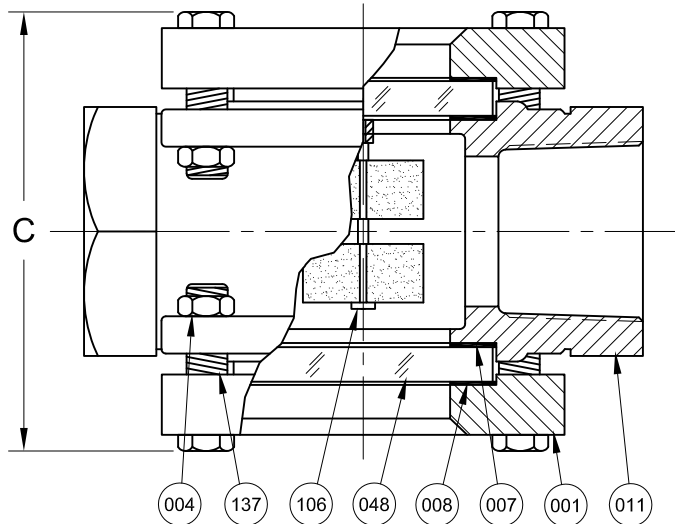


ASME CLASS 150 SERVICE PRESSURE/TEMP. RATINGS *Limited to Gasket & Glass Material		
Temp. (°F)	Pressure (PSIG)	
	CS	316SS
-20 to 100	285	275
150	270	255
200	260	235
250	245	225
300	230	215
350	215	205
400	200	195
450	185	180
500	170	170

\*Consult Sales for Higher & Lower Temps.



REVISIONS			
Rev.	Modification	Date	Done By
0	Original	5/27/2016	WAS
A	Added Min. & Max. Indicator Flow Rate	2/16/2018	WAS

BILL OF MATERIALS					
* - Denotes an Optional, Non-Standard Material					
No.	Name of Part	Qty.	Material	Max. Temp. (°F)	Material Grade
011	Body	1	Carbon Steel		ASTM A-216 WCB
			316SS		ASTM A-351 CF8M
			Neoprene	250	
007	Gasket	2	Gylon®	500	Gylon® 3504
			*EPDM	250	
			*Viton®	350	
			*Graphite	500	
			*Non Asbestos	500	Klinger C-4400
			*Buna-N	250	
048	Lens	2	Tempered Boro.	500	
106	Rotor Assembly	1	PTFE/316SS	500	
008	Cushion	2	Non-Asbestos	500	Klinger C-4400
001	Retainer 1	2	Carbon Steel		ASTM A-216 WCB
			316SS		ASTM A-351 CF8M
			Plated Steel		SAE Gr. 5
			*316SS		ASTM A193-B8M
137	Stud	8	Plated Steel		SAE Gr. 5
004	Nut	8	Plated Steel		SAE Gr. 5
			*316SS		ASTM A194-8M

- KEY NOTES:**
- Retainers are the Same Material as the Body
  - For NACE Compliance, Please Inquire

PRODUCT SPECIFICATIONS										
FNPT Size	A		B		C		Weight		1st Rate of Indication	Max Flow Rate
	In.	mm.	In.	mm.	In.	mm.	lbs.	kg.	GPM	GPM
1/2	3-3/4	95	1-1/4	32	3-7/8	98	6	2.7	1.0	11.5
3/4	3-3/4	95	1-1/4	32	3-7/8	98	6	2.7	1.9	19.0
1	4-1/4	108	1-1/4	32	4-1/8	105	11	5.0	2.2	30.0
1-1/2	5-1/2	140	1-3/4	44	5-3/8	137	12	5.4	5.0	69.0
2	6-1/4	159	2	51	6-1/8	156	17	7.7	7.0	112.0

**S14TC Series Configuration Choices:**  
Reference the Series S14TC Model Number Matrix on our Website or Inquire with our Sales Team

Gylon® is a Registered Trademark of Garlock Sealing Technologies  
Viton® is a Registered Trademark of the Chemours Company

<b>JOHN C ERNST LLC.</b>		www.johnernst.com 21 Gail Ct. Sparta, N.J. USA	
Series S14TC Sight Flow Indicator - Rotor 150# Threaded			
Sheet 1 of 1	Drawn By WAS	Tolerances, unless otherwise noted Dec.: ±    Frac.: ±    Ang.: ±	Size: A
Scale: <b>NTS</b>	Approved By GEW		
Date: 16-FEB-18	Dwg. No.: SC2.S14TC.01.0.0		Rev.: A